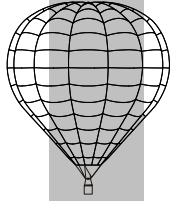


ULTRAMAGIC MAINTENANCE MANUAL SUPPLEMENT N°22**CV BASKETS****Section 1 - General**

This supplement defines the particular maintenance and inspection requirements for the CV Series of Ultramagic Baskets.

Sections 1 to 5 detail the specific maintenance procedures and the parts used. Section 6 details the applicable inspection schedules and test requirements.

Due to the seat arrangement introduced with the CV baskets, a specific Maintenance Manual Supplement is required as a complement to the Maintenance Manual. Indexes are kept in line with the Ultramagic Maintenance Manual to facilitate its use. All other limitations, instructions and safety information contained in the Maintenance Manual remain applicable.

1.1.3 Basket (Preventive maintenance)

Add the following:

- Assembling and removal of waist harnesses
- Assembling and removal of the trays
- Tightening of the seat structure to the plywood

Section 2 – Envelope Repairs

No change.

Section 3 – Basket Repairs**3.1 General Maintenance**

To clean the harnesses, wipe the webbing with a sponge soaked in hot soapy water. Do not bleach or dye the belts.

To clean the seats, make a combined use of dry cleaners with gentle brushing.

3.12 Seat assembly

Each seat is mounted on its side plates by means of four M8 screws. The two rear screws include a bushing sleeve to install also the belt brackets (see Fig.2).

Whenever the seat is re-assembled, screws require a torque of 25 N·m (18.5 lb·inch) for proper tightening. The use of screwlock type Loctite 243 on the threads is recommended.

3.13 Seat harnesses

Side attachments are used also to fix the seat, thus refer to Fig. 2 and section 3.12 for their assembly and removal.

Rear attachment consists of a karabiner connected to the basket bottom structure by means of a welded St. Steel ring. Open the karabiner gate to assemble/release the harness.

Whenever the harness is re-assembled, make sure that it is correctly routed through the openings of the seats, checking also for entanglements of the belt with the basket and seat structures.

Any damage to the harnesses or their attachment points must be corrected by replacement, with the exception of damage or wear on the sewn gates, which may be re-sewn or reinforced.

3.14 Tray assembly

Individual trays are installed in front of each seat, supported on the adjacent structure by means of a stainless steel arm. Whenever a tray needs to be removed, Refer to figure 1 and undo the Hex drive Lock Screw holding the plastic gimbal to the steel tube. This will enable releasing the tray assembly from the structure. Four Philips screws connect then the tray to the axial support. Re-assembling is the reverse procedure.

Tray adjustment – Gimbal assemblies are provided with a tilt adjustment in form of a screw. When the tray is not flat and requires adjustment, refer to Figure 1 and loosen or tighten the screw until the inclination of the tray disappears.

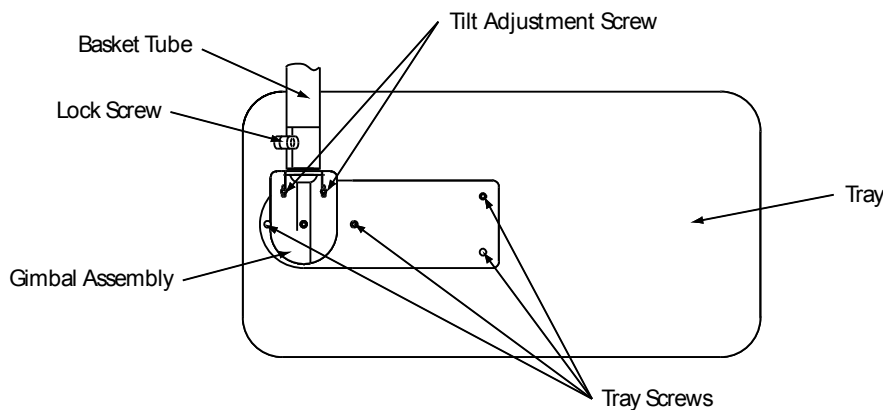
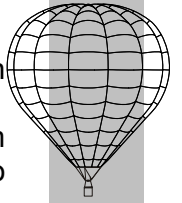
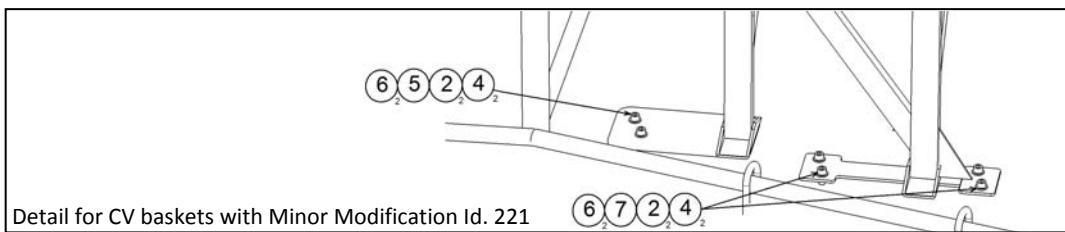
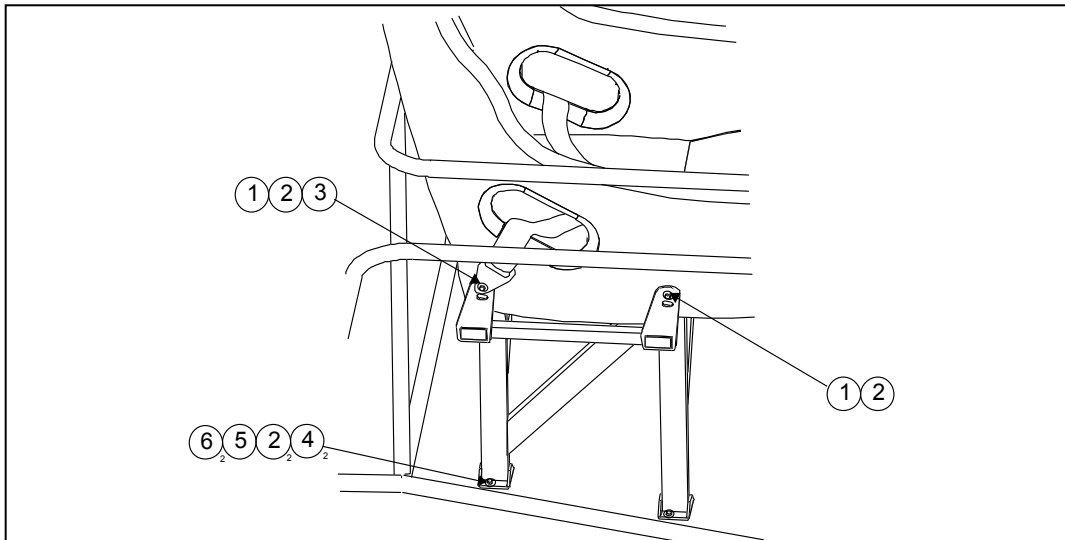


Figure 1
Tray assembly – Bottom View





ITEM	DESCRIPTION	DWG / PART NUMBER
1	M8x30 ST STL HEX DRIVE SCREW TO DIN912	MA-FE-0240
2	M8 ST STL WASHER TO DIN9021	MA-FE-0155
3	BUSHING SLEEVE	CI-C-0901
4	M8x40 ST STL HEX DRIVE SCREW TO DIN912	MA-FE-0260
5	ST STL DOUBLE HOLE COUNTERPLATE	CI-C-0177
6	M8 ST STL NUT	VE-C-0270
7	ST STL 53X75X4MM COUNTERPLATE	CI-C-0096

Figure 2
Seat Support Assembly

Section 4 – Fuel Systems

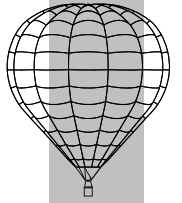
No change.

Section 5 – Instruments

No change.

Section 6 – Inspection Schedules

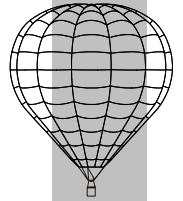
6.1 Pre-flight Checks (“A” Type)



**S
2
2
-
C
V
B
A
S
K
E
T
S**

Basket (Add the following)

6. Check the seat harnesses and their attachments for entanglements, or signs of excessive wear or damage. Check that the buckles remain operative.
7. Check the waist restraint harnesses and their attachments for entanglements, or signs of excessive wear or damage. Check that the buckles and karabiners remain operative.
8. Check that trays and accessories are stowed.
9. Check that the seat structures are firmly secured to the floor and do not present free movement or distortion.



6.3 100 hour / annual inspection ("B" Type)

Basket (add the following):

9. Check the seat harnesses and their attachments for entanglements, or signs of excessive wear or damage. Check that the buckles remain operative.
10. Check the waist restraint harnesses and their attachments for entanglements, or signs of excessive wear or damage. Check that the buckles and karabiners remain operative.
11. Check the condition and movement of the trays. Correct any play and make sure that are firmly attached to the supports.
12. Check that the seat structures are firmly secured to the floor and do not present free movement or distortion.
13. Carry out a close inspection to the seats, especially on screwed and welded joints. Make sure that all seats are free from play or relative movement.
14. Check the partition tubes looking for signs of distortion or cracks.
15. If present, remove floor padding to check the attachments to the plywood for cracks or damages.
16. Tilt the basket and check the condition of the bottom face of the floor.

6.6 Inspection Requirements

6.6.6 Baskets

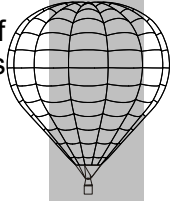
Additionally, observe the following:

Seat Harnesses – Harness must be used in its approved configuration without any modifications or removal of parts. The effectiveness and longevity of the belts are directly related to the manner in which they are installed, used and maintained. The belts must be replaced whenever the webbing is visibly cut, frayed, or weakened due to the actions of chemicals or sunlight. They must also be replaced if metal parts or buckles are bent, deformed or rusted. Any harness which does not function perfectly must be replaced. In the event of finding sewn gates damaged, possible causes should be identified – i.e. entanglements, incorrect installation, hard landing, misuse, etc.

Seats and Seat supports – Carry out a close inspection to the seats, seat supporting structure and the harness attachments, especially on screwed and welded joints. Check for signs of distortion or bending. Make sure that all seats are free from play or relative movement. Check that the screws fixing the seats and the structure are secured. Remove the floor padding to inspect the attachments of the structure to the floor. Tilt the basket and check the condition of the fittings from below, and tighten all screws securing the seat supporting structure to the plywood.

Basket structure – Check the partition tubes looking for signs of distortion, play or cracks. If necessary, remove the padding and leather from the tube for inspection whenever damage is suspected.

Trays – Check the trays in absence of splinters or damage. Check the correct function of the gimbal system. Trays must be firmly secured to the structure. If significant tilt is observed when deployed, adjust them as described in 3.14.



6.7 Unscheduled Inspections

6.7.3 Hard Landing Inspection

Add the following:

Add the checks listed in section 6.3 of this supplement.

Section 7 – Airworthiness Limitations

No change.

Section A2 – Inspection Checklist

Add the following:

CHECK	SECTION	ASPECTS	YES /NO	INSP.
BASKET	Seat Harness	9. Check seat harnesses (entanglements, wear, damage) Buckles operative.		
	Waist Harness	10. Check waist harnesses (entanglements, wear, damage) Buckles operative.		
	Tray	11. Tray condition, movement, attachment.		
	Seat Structure	12. Seat structure firmly secured to the floor, absence of distortion / movement. Tighten screws.		
	Seat	13. Seats and their attachments. Check for play or damages.		
	Partitions	14. Check partition tubes for distortion or cracks		
	Floor attachments	15. Check the condition of the basket floor and their attachments. Remove floor padding if necessary.		
	Bottom	16. Tilt the basket to check the condition of its bottom face.		